

### INTRODUCTION

Robust and high durability under extreme conditions.

Exclusive use with WM44-P RF.

Industrial RF communication 802.15.4 2.4GHz, world-wide license free band.

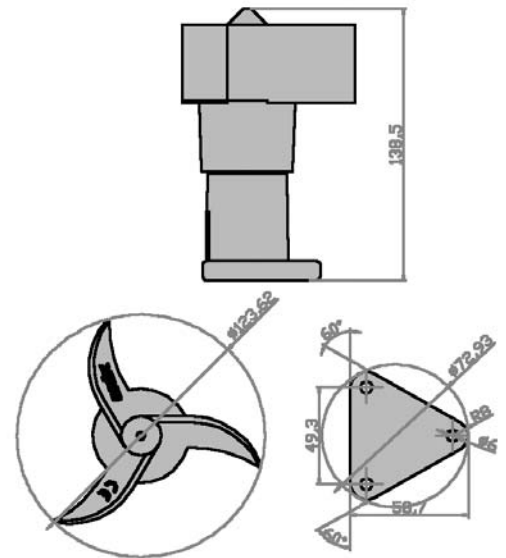
Sistema Plug & Play.

Power supply : from 9 to 24Vdc.

Wide measuring range. From 2 to 200km/h.

High quality stainless steel bearings.

Maintenance free.



Robust wind speed sensor, extremely resistant and flexible, probably one of the best wind sensors in the market. Suitable for many different applications.

Developed to be connected to display WM44-P RF. Plug & Play. No user configuration needed. More than one ANEMO4403 RF + WM44-P RF can operate in the same area, with no risk of interaction/interference.

Made with high quality materials. Body and cup anemometer are manufactured in technical plastic. Bearings manufactured in stainless steel.

### APPLICATIONS

Anemo4403 RF has been designed for home and industrial applications: cranes, buildings, PV panels, wind turbines, weather stations, green houses...

### OPERATING

Each Anemo4403 RF must be supplied with an associated WM44-P RF display. Powering WM44-P RF is the only requirement to visualize the wind speed from its associated Anemo4403 RF.

#### **Inputs / Outputs**

From 2 to 200Km/h wind speed.

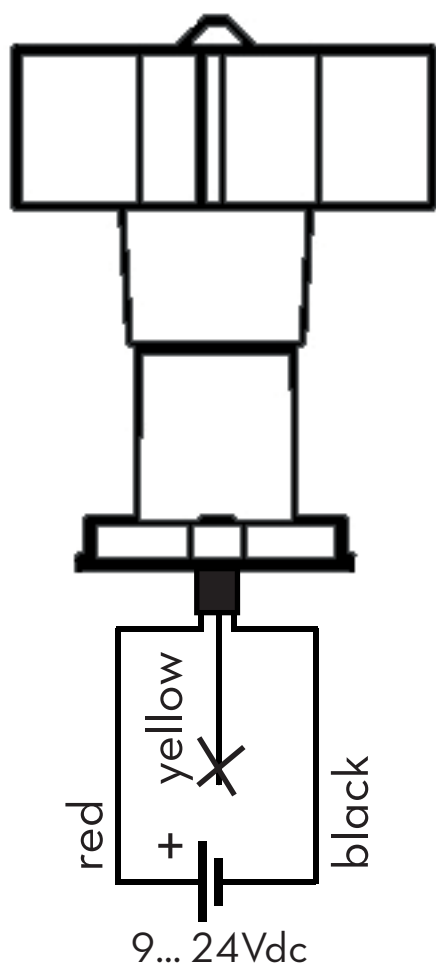
RF Communication, compliant to IEEE 802.15.4, 2.4 GHz.

### TECHNICAL CHARACTERISTICS

<b>Power supply</b>	from 9 to 24 Vdc	<b>Transmission timing</b>	2 s
<b>Power consumption</b>	< 1W	<b>Storage temp.</b>	-35 °C ... +70 °C
<b>RF communication</b>	IEEE 802.15.4. ISM 2.4 GHz Power transmission: 10mW (10dBm) Sensibility reception: -100dBm	<b>Operating temp. (ice free)</b>	-20 °C ... +70 °C
<b>Communicating range</b>	Indoor/Urban : 60 m max. Outdoor. Direct vision : 750 m max.	<b>Power supply wiring</b>	Red : V+ Black : V- Yellow : NC
<b>Measure range</b>	from 2 to 200 km/h	<b>Weight, 20m cable included</b>	1270 g approx.
<b>Starting speed</b>	8 km/h	<b>Weight</b>	160 g approx.
<b>Accuracy</b>	+/-2%	<b>IP Rating</b>	IP65

### CONNECTION

#### Power supply



#### Anemo4403 RF and WM44-P RF long range



Indoor/Urban: up to 60 m  
Outdoor. Direct vision: up to 750 m